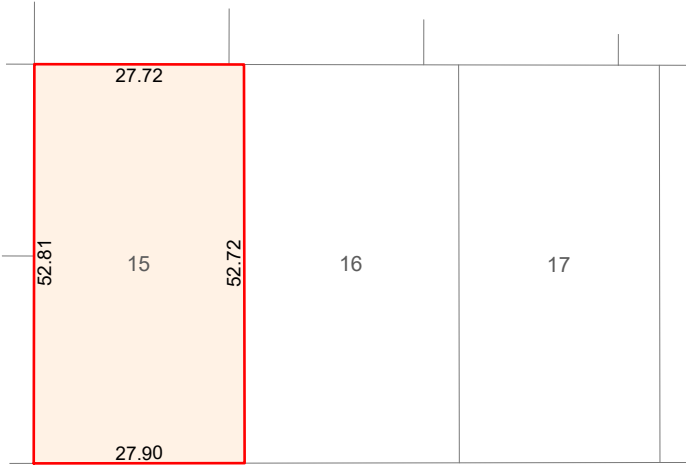
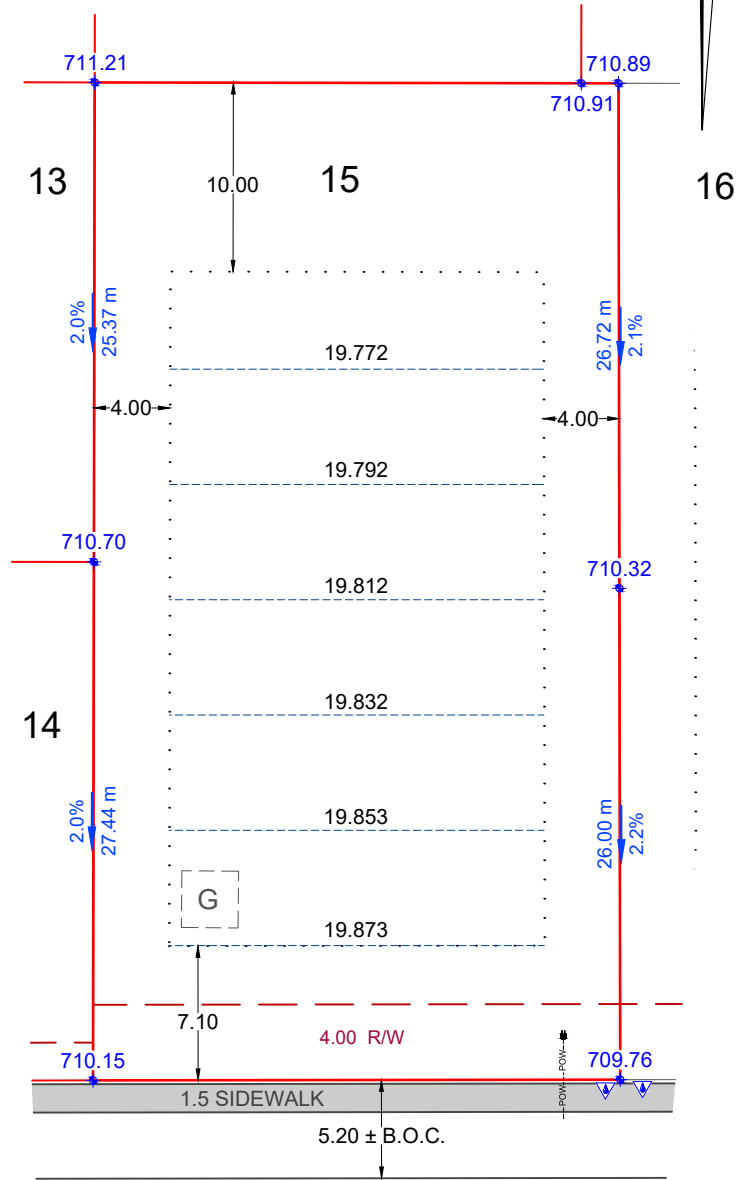


POCKET PLAN



ROAD



FRONT

ELEVATION DETAILS	
HOUSE TYPE:	
FINISHED FLOOR:	
BOTTOM OF FOOTING:	
BASEMENT HEIGHT:	
FINISHED GRADE AT-FRONT STEP:	
FINISHED GRADE AT-BACK OF HOUSE:	
GRADE BELOW-BACK/SIDE DOOR SILL:	
GRADE BELOW-BASEMENT WINDOWS:	
TOP OF CONCRETE BASEMENT WALL:	
GARAGE FLOOR:	
SANITARY SEWER SERVICE INVERT:	706.65
FOOTING SIZE:	

NOTES
- BUILDER/OWNER RESPONSIBLE TO ENSURE BACK FILL LEVELS MEET ALL CODES.
- BUILDER / OWNER IS LIABLE FOR ANY COSTS INCURRED DUE TO AN ERROR IN THE ABOVE PLAN IF CONSTRUCTION STARTS PRIOR TO THIS PLAN BEING APPROVED BY THE LOCAL APPROVING AUTHORITY
- ALL DISTANCES SHOWN ARE IN METER AND DECIMALS THEREOF.
-INFORMATION TO BE USED AS A GUIDELINE ONLY, AND IS SUBJECT TO CHANGE.
RAIN WATER LEADERS TO BE DETERMINED. (NO INFORMATION ON ENGINEERING, CONTACT ENGINEER PRIOR TO CONSTRUCTION)
- INFORMATION BASED ON UNREGISTERED PLAN, SUBJECT TO CHANGE.
- STORM = 707.03

DETAILS
- LOT AREA: 1467.32 m ² (15794.1 ft ²)

LEGEND			
PROPOSED CLEAN OUT		PROPOSED HYDRANT	
PROPOSED STREET LIGHT		PROPOSED SERVICE PEDESTAL	
PROPOSED C.C. LOCATION		PROPOSED POWER SERVICE	
PROPOSED TRANSFORMER		PROPOSED FENCE LINE	
		PROPOSED BACK OF CURB	
		PROPOSED BACK OF WALK	
		PROPOSED LIP OF LANE	
		PROPOSED UTILITY VAULT	
		B.O.C.	
		B.O.W.	
		L.O.L.	
		DESIGN GRADE ELEVATION	00.00
		AS-BUILT ELEVATION	00.00
		PROPOSED ELEVATION	00.00
		CENTERLINE ELEVATION	CL 0.0

LEGAL INFORMATION		
LOT	BLOCK	PLAN NUM.
15	6	UNREGISTERED
CIVIC ADDRESS:		
LOCATION	SUBDIVISION	
ARDROSSAN	ARDROSSAN ESTATES	



EMAIL: POCKET@PALSGEOMATICS.COM
 PHONE: 780-455-3177
 FAX: 780-481-1301
 10704 - 176TH STREET NW
 EDMONTON, ALBERTA T5S 1G7



DWG DETAILS			
Rev. No.	Date:	Drafted By:	Description
PK	Sep. 10, 21	LMATYJANKA	
BUILDER/OWNER:			
MODEL:			
JOB NUM.:			
LOT ZONING:	RE	SCALE:	1:400